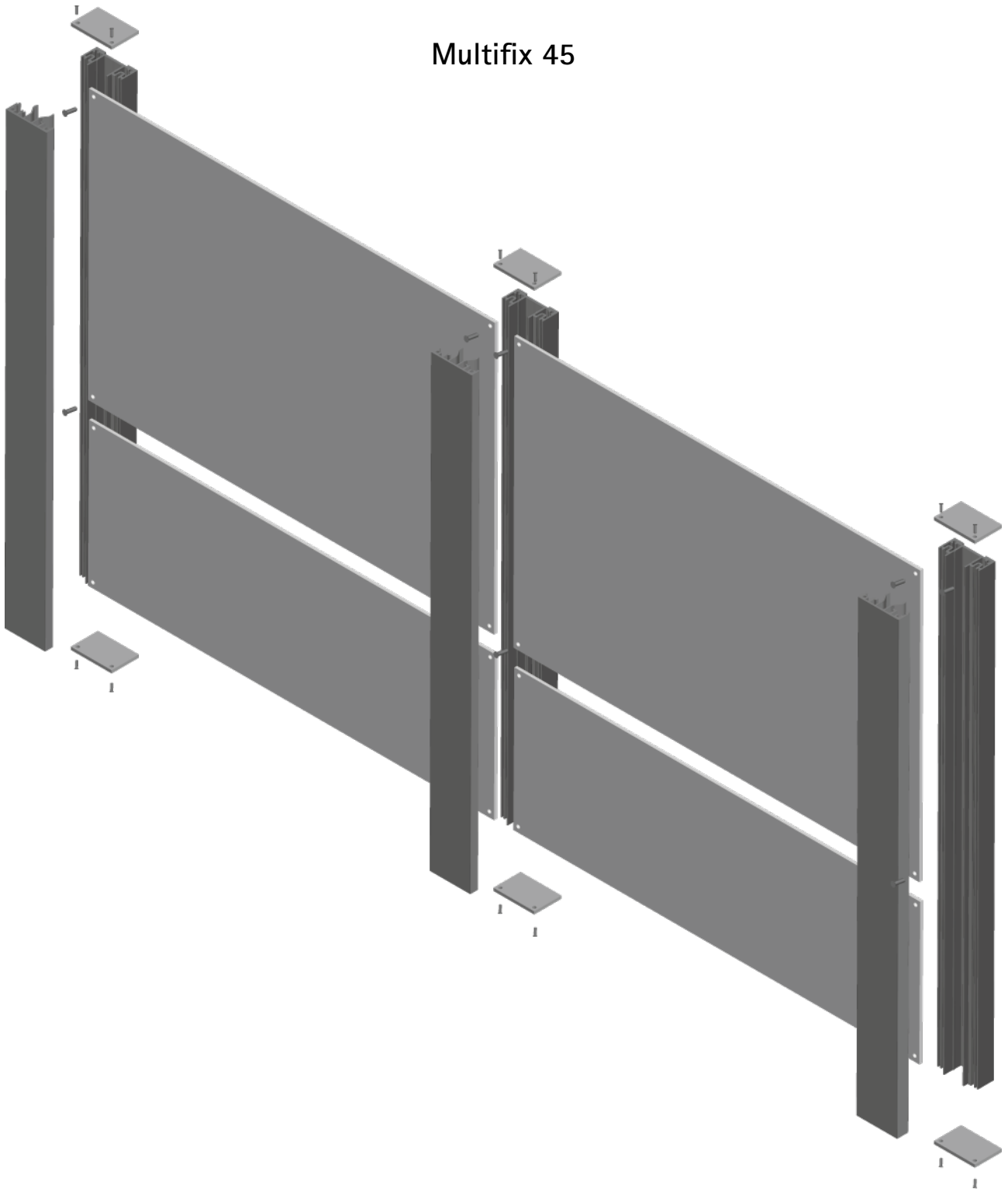


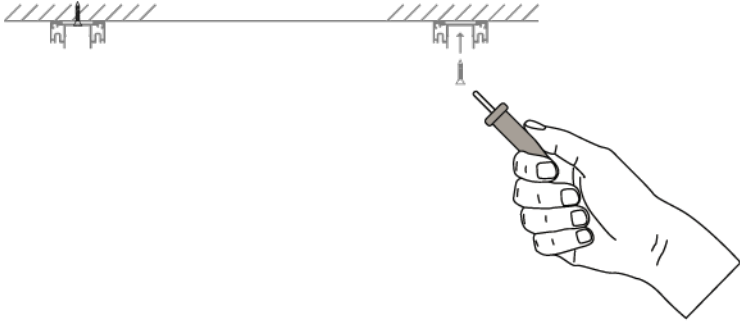
Montage

Installation Manual

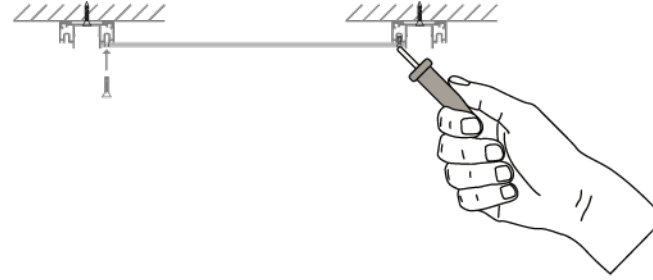
Multifix 45



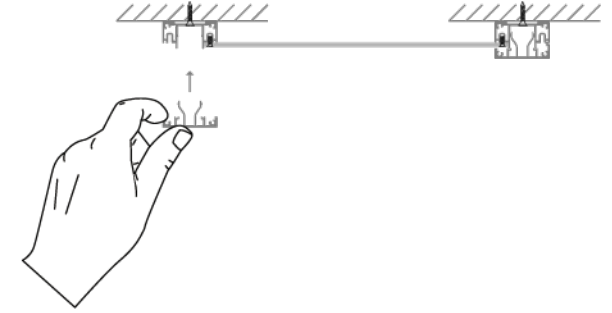
1.



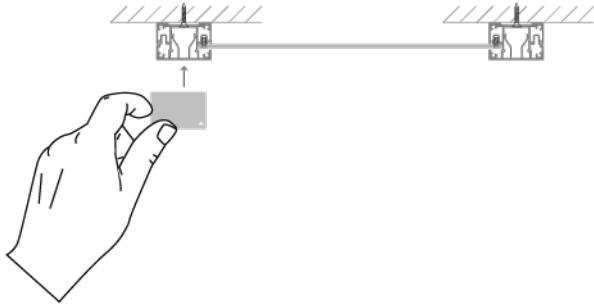
2.



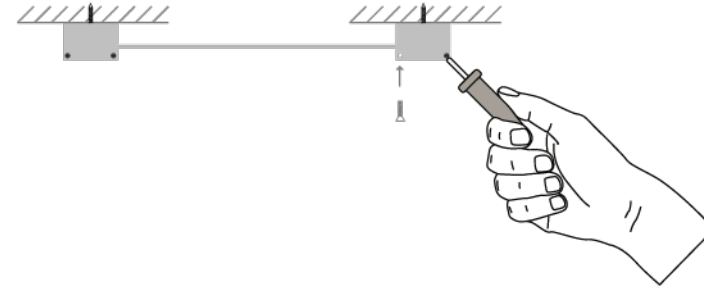
3.



4.



5.



Verpackungsinhalt:
 2x Profil (Wand-+ Abdeckprofil)
 4x Deckel

Delivery:
 2x profile (mounting + cover form)
 4x end cap