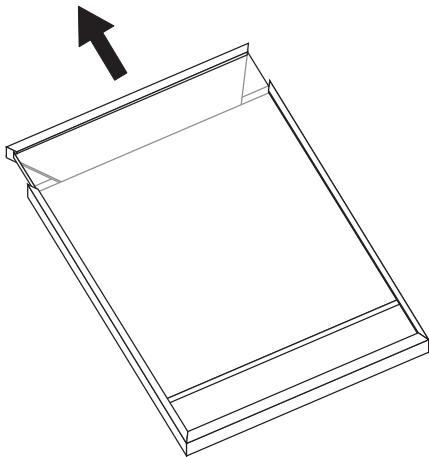
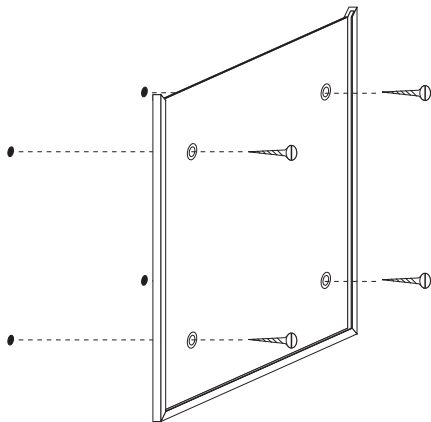


Montageanleitung – Mounting Installation – Notice de Montage

1



2



Empfohlene Schrauben:
3 x 35 mm Spax Senkkopf

Recommended screw:
3 x 35 mm, Spax counter sunk

Stand: oe/11 - 2014